



Model#2102-5 gal.

AEROBAIT, the aerated bait saver, brings to the fresh and salt water angler a self-contained unit combining aeration and insulation to prolong the life and liveliness of live bait. Insulation helps retain the coolness of the water while air is pumped into the water to replenish the oxygen used by the bait.

AEROBAIT, the aerated bait saver, has a streamlined design, is convenient to use, is made of durable plastic material, and operates on "D" cell batteries.

DIRECTIONS

1. Locate battery drawer at bottom of outside of container.
2. Pull battery drawer out far enough to remove screw and cover, but not out of base.
3. Place 2 "D" cell batteries in battery drawer with positive (+) ends on the right side.
4. Replace battery drawer screw and cover. Push drawer back in place.
5. Add water, bait and turn on switch.

TRAVEL STRAP

Use travel strap in moving boat or vehicle to prevent loss of lid. With lid in place, hook one end of strap on bottom of handle bracket and then stretch across lid to hook on opposite side handle bracket.

TIPS FOR USING YOUR AEROBAIT

For best result, use a new battery, preferably alkaline.

Occasionally clean exterior with damp cloth and rinse interior.

To store for extended period, remove battery and be sure unit is completely dry.

Do not dip bucket in water. Bottom base contains electrical and moving parts.
Do not allow to get wet.

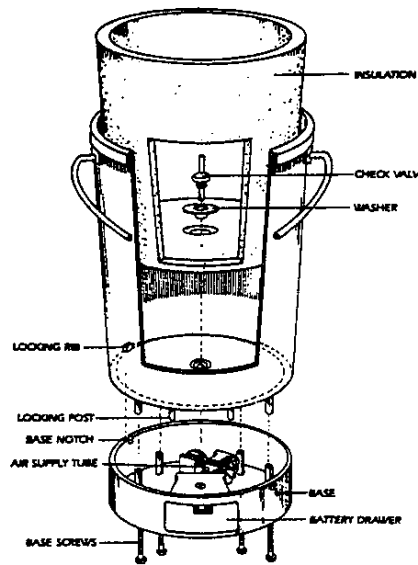
To help keep bait cool, keep bucket out of sun and add ice to water.

When done using aerobait, empty water from bucket and turn on for 5 seconds to clear check valve.

If unit does not start, first be sure you have good batteries. If batteries are okay, remove base per instructions and turn motor to make sure it is free. Then check for any loose connections.

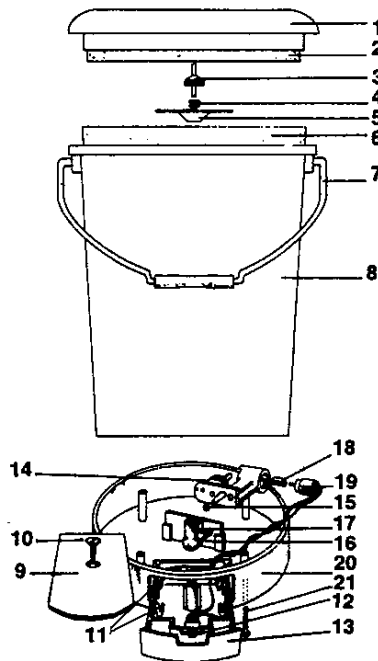
To Remove Base From Container.

- Step 1. Unscrew check valve inside container, and remove.
- Step 2. Remove washer and insulation from the container.
- Step 3. Turn the container upside down and remove the 4 screws that hold the base to the container.
- Step 4. While holding the base and the top of the container, turn the container to the upright position.
- Step 5. Lift the container away from the base to expose the components located in the base. CAUTION: Be sure the air supply tube remains in the base mounting to prevent damage to the wiring.



To Fasten Base to Container.

- Step 1. Make certain that all components are properly positioned in the base. The air supply tube should be positioned approximately 1/2 inch above the floor at the base to assure proper engagement in the container. The battery drawer should be open approximately 1/2 inch to clear locking posts on container.
- Step 2. Place the container on the base so that the container locking rib engages in the base notch.
- Step 3. Grasp the container by the top and base, and turn the container upside down.
- Step 4. Place the 4 screws on the base and tighten. CAUTION: Do not over tighten screws.
- Step 5. Turn container to the upright position.
- Step 6. Place the insulation in the container.
- Step 7. Place the washer in position on the insulation.
- Step 8. Place the check valve in position and hand tighten.



LIMITED ONE (1) YEAR WARRANTY

AEROBAIT is warranted against defects in workmanship and materials for one (1) year from date of purchase (proof of purchase is required prior to warranty work being performed). This warranty is effective only if AEROBAIT is used and operated in the proper manner as specified in any instructions. Any AEROBAIT that is returned to our factory, with all transportation charges to and from our factory prepaid by purchaser, and found to be defective by factory inspection will be repaired or replaced free of charge. We shall not be liable for any defective material repaired or replaced without our consent, or for consumer inflicted damage, misuse or alteration. NO OTHER WARRANTY OF ANY KIND, EXPRESS OR IMPLIED IS MADE; ALL IMPLIED WARRANTIES OF MERCHANTABILITY AND OF FITNESS FOR A PARTICULAR PURPOSE WHICH EXCEED THE AFORESTATED WARRANTY ARE HEREBY DISCLAIMED AND EXCLUDED FROM THIS AGREEMENT. THE COMPANY SHALL NOT BE LIABLE FOR ANY CONSEQUENTIAL DAMAGES WHICH MAY BE SUSTAINED BY CONSUMER IN ANY WAY.

THIS IS A FACTORY WARRANTY-RETURN TO FACTORY-DO NOT RETURN TO DEALER

Magic Products, Inc. 3931 Second Street • P.O. Box 38 • Amherst Junction, Wisconsin 54407

715-824-3100