



## **Model#2101-7 qt.**

AEROBAIT, the aerated bait saver, brings to the fresh and salt water angler a self-contained unit combining aeration and insulation to prolong the life and liveliness of live bait. Insulation helps retain the coolness of the water while air is pumped into the water to replenish the oxygen used by the bait.

### **DIRECTIONS**

1. Locate battery cover at bottom of outside of container.
2. Squeeze ends of battery cover toward each other and remove.
3. Place "D" cell battery in battery holder with positive(+) end of battery away from spring.
4. Replace battery cover. Add water, bait and turn on switch.

### **TRAVEL STRAP**

Use travel strap in moving boat or vehicle to prevent loss of lid. With lid in place, hook one end of strap on bottom of handle bracket and then stretch across lid to hook on opposite side handle bracket.

### **TIPS FOR USING YOUR AEROBAIT**

For best results, use a new battery, preferably alkaline.

Occasionally clean exterior with damp cloth and rinse interior.

To store for extended periods, remove battery and be sure unit is completely dry.

Do not dip bucket in water. Bottom base contains electrical and moving parts.  
Do not allow to get wet.

To help keep bait cool, keep bucket out of sun and add ice to water.

When done using Aerobait, empty water from bucket and turn on for 5 seconds to clear check valve.

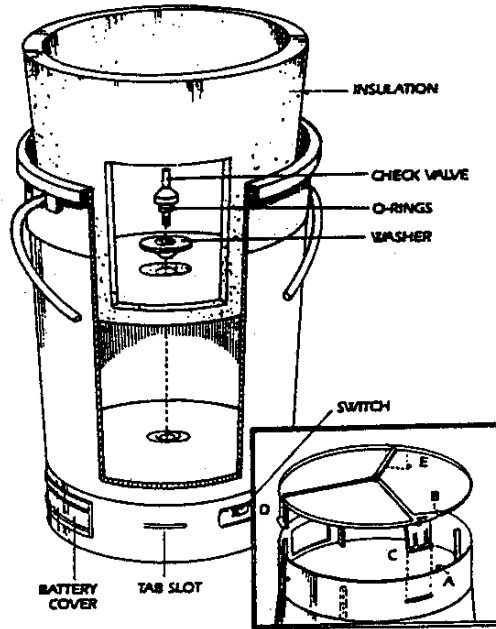
If unit does not start, first be sure you have a good battery. If battery is okay, remove base per instructions and turn motor to make sure it is free. Then check for any loose connections.

### To Remover Bottom Plate

- Step 1. Unscrew check valve inside container.
- Step 2. Remove battery cover by squeezing both ends towards each other.
- Step 3. Depress the bottom plate tabs (3) located in the slots of the container's skirt.
- Step 4. Through the battery window, press down on the battery holder while lifting the container away from the bottom plate.

### To Replace Bottom Plate

- Step 1. Turn container upside down.
- Step 2. Locate index key A at the bottom of the container and line it up with notch B on the bottom plate (refer to drawing).
- Step 3. While firmly pressing in tabs c, d, e, lower bottom plate into container. Tabs will snap into position.
- Step 4. Replace check valve and battery cover.

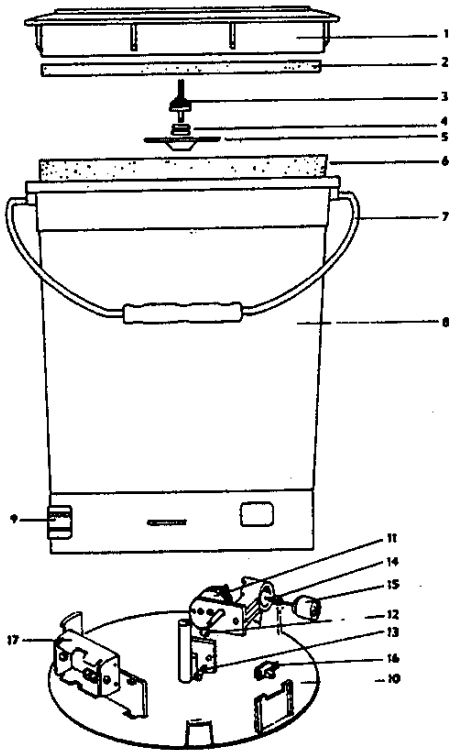


### To remove insulation

- Step 1. Unscrew check valve inside container, and remove.
- Step 2. Remove washer.
- Step 3. Remove insulation from container.

### To Replace Insulation.

- Step 1. Place insulation in container.
- Step 2. Place the washer in position on the insulation.
- Step 3. Place the check valve in position and hand tighten.



## LIMITED ONE (1) YEAR WARRANTY

AEROBAIT is warranted against defects in workmanship and materials for one (1) year from date of purchase (proof of purchase is required prior to warranty work being performed). This warranty is effective only if AEROBAIT is used and operated in the proper manner as specified in any instructions. Any AEROBAIT that is returned to our factory, with all transportation charges to and from our factory prepaid by purchaser, and found to be defective by factory inspection will be repaired or replaced free of charge. We shall not be liable for any defective material repaired or replaced without our consent, or for consumer inflicted damage, misuse or alteration. NO OTHER WARRANTY OF ANY KIND, EXPRESS OR IMPLIED IS MADE; ALL IMPLIED WARRANTIES OF MERCHANTABILITY AND OF FITNESS FOR A PARTICULAR PURPOSE WHICH EXCEED THE AFORESTATED WARRANTY ARE HEREBY DISCLAIMED AND EXCLUDED FROM THIS AGREEMENT. THE COMPANY SHALL NOT BE LIABLE FOR ANY CONSEQUENTIAL DAMAGES WHICH MAY BE SUSTAINED BY CONSUMER IN ANY WAY.

**THIS IS A FACTORY WARRANTY-RETURN TO FACTORY-DO NOT RETURN TO DEALER.**

**Magic Products, Inc.** 3931 Second Street • P.O. Box 38 • Amherst Junction, Wisconsin 54407  
715-824-3100